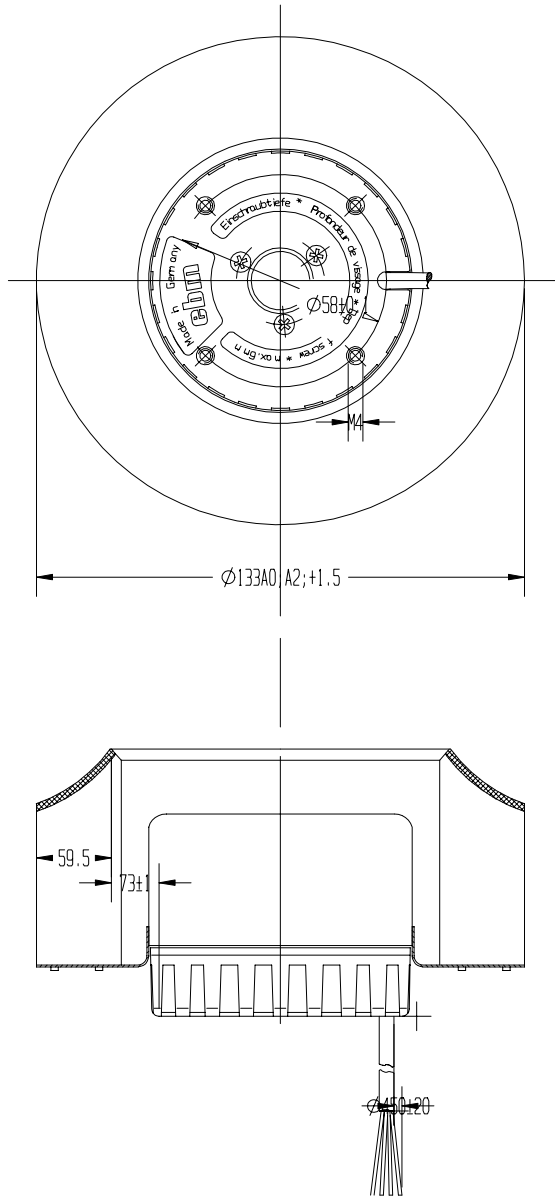


Copying of this document, and giving it to others and the use or communication of the contents thereof, are forbidden without express authority.  
 Offenders are liable to the payment of damages. All rights are reserved in the event of the grant of a patent or the registration of a utility model or design.

CAD: LV2585  
 Vertel BE3/LV PG3



## Delivery Specification

No. 2585

Unit: Centrifugal fan single inlet      Type: R1G133-AB41-53  
 Motor: DC-Motor      Customer: Juniper  
 Motor Type M1G055-BD... .

| TYPE           | voltage<br>V- | voltage<br>range<br>(V-) | power<br>consumption<br>W | power<br>output<br>W | current<br>consumption<br>A | air volume<br>m³/h | static pressure<br>Pa | speed<br>min⁻¹ | start-up torque<br>Ncm | nominal torque<br>Ncm | noise level<br>dBA | capacitor<br>AF | VDB |
|----------------|---------------|--------------------------|---------------------------|----------------------|-----------------------------|--------------------|-----------------------|----------------|------------------------|-----------------------|--------------------|-----------------|-----|
| R1G133-AB41-53 | 48            | 36-56                    | 32                        | -                    | 0.72                        | 275                | 0                     | 3650           | -                      | -                     | 64                 | -               | -   |

Winding layout No.:  
 Insulation class: E      Mode of operation: S1  
 Permissible ambient temperature: 60°C      Operating life:  
 Winding protection: locked motor protection  
 Data plate: ink stamped      Type: R1G133-AB41-53  
 48V- (36-56 V-DC)      32W      3650 min⁻¹  
 High-voltage test according to EN 60335-1: 1600h VAC/SEC  
 Electrical connection: AWG20-300V leads

Material/surface treatment: rotor varnished black  
 Fan wheel: PA6 25% GF

Bearings: ball bearings  
 Direction of rotation: clockwise      looking at rotor side  
 Airflow direction:  
 Balancing grade: fan balanced dynamically in two planes      Protection class: IP22      in accordance with EN 60034-5  
 Mounting position: optional      Approx. weight per unit: kg  
 Wiring diagram:

see Interface No. 4816

|   |   |          |  |  |  |  |  |  |  |  |  |  |  |
|---|---|----------|--|--|--|--|--|--|--|--|--|--|--|
| - | - | 07.12.99 |  |  |  |  |  |  |  |  |  |  |  |
|---|---|----------|--|--|--|--|--|--|--|--|--|--|--|

IGENTITLE-MAX

IGENTITLE-INSERT